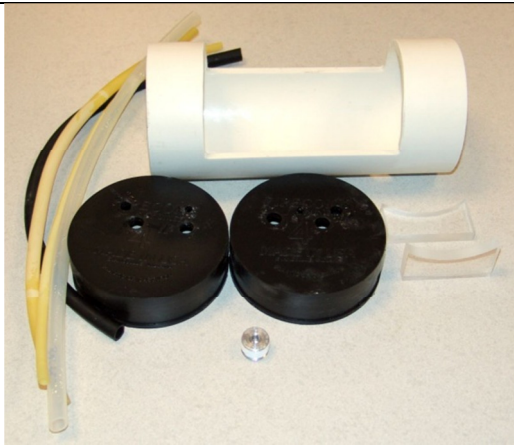
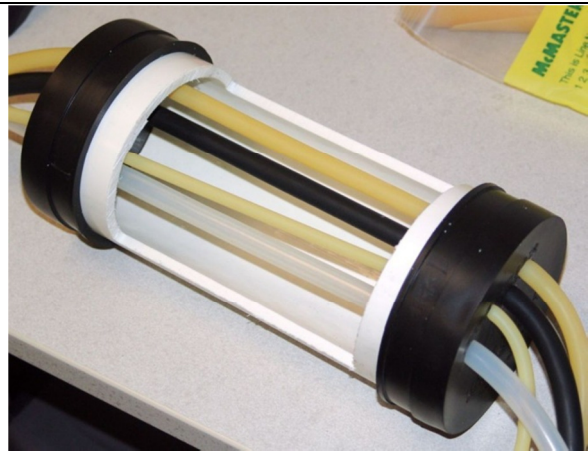


# Phantom for Ultrasound Guided Central Venous Catheter Placement

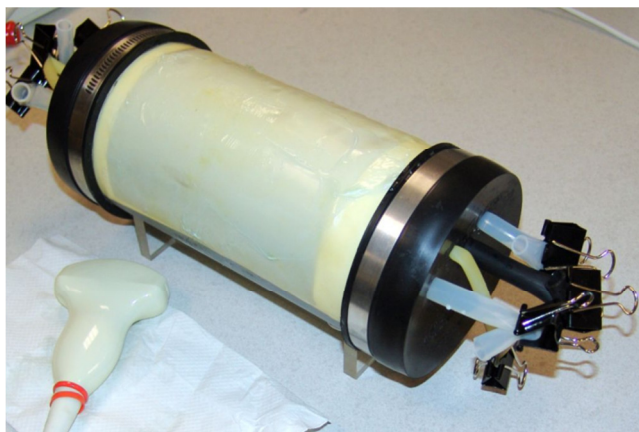
Konrad Lorenz Strulik, Emmanuel Wilson



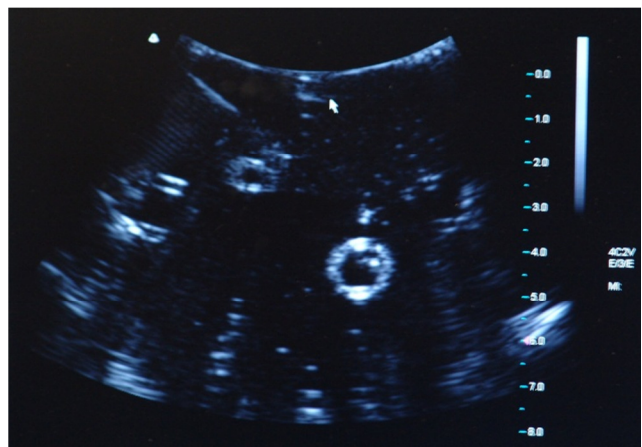
(a)



(b)



(c)



(d)

US phantom (a) materials (b) construction (c) phantom filled with Gelatin mix and tubes filled with water (d) US image of the phantom.

All parts were purchased online at McMaster-Carr (<http://www.mcmaster.com>).

**Phantom body:**

PVC Tube 4" ID ([48925K98](#))

**Vessel Tubing:**

**Latex OD**

1) 5/16" OD (1/4" ID, amber)

- ([5234K981](#))

2) 7/16" OD (5/16" ID, amber)  $\phi = 4.5"$

- ([5234K34](#))

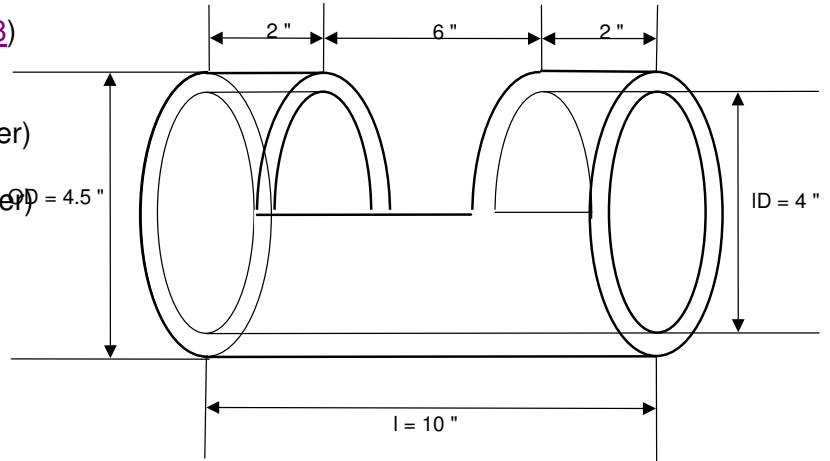
3) 1/2" OD (3/8" ID, black)

- ([5234K81](#))

**Silicone OD**

4) 1/2" OD (3/8" ID, white)

- ([51135K35](#))



**Skin:**

**Latex Film**

5) 0.02" thick (attached with duct tape - [85995K27](#))

**Close the phantom:**

Rubber pipe ends ([2394K14](#))

**Sealing:**

Metal pipe cuffs ([4511K82](#))

**Filling Opening:**

1" screwed plug on the bottom

Sealed with Teflon tape

